

# REMOTE CONTROLLED LOUVER

THE LEADER IN...  
OUTDOOR COMFORT



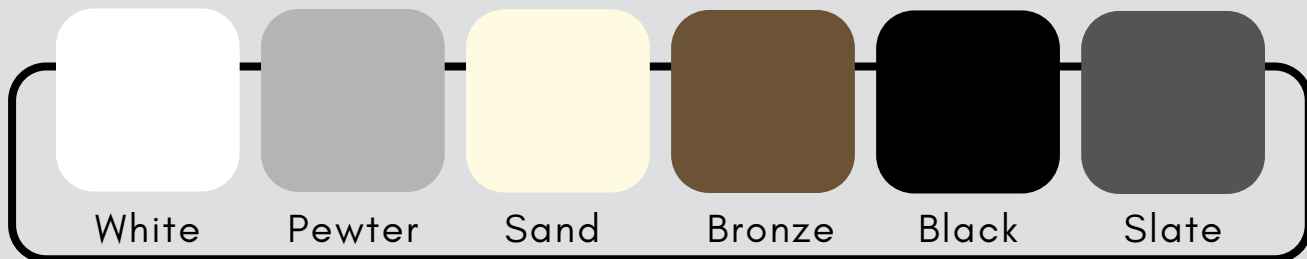
WE'VE GOT YOU  
COVERED



**Finishes and materials  
warrantied for 15 years**

**Electrical and drive  
actuators covered for 5  
years.**

## STANDARD FRAME COLORS



## PRICING

High end - Remote controlled  
\$150 per square foot

\*Not including shipping | design  
costs | permitting

Financing available

## FRAME MATERIAL

Aluminum (standard)  
Steel  
Timber



ISAAC DAWID  
IDAWID7@GMAIL.COM | 510-363-5547

PATIOCOVERSANDMORE.COM





## RAIN PROTECTION

The interlocking louver system provides protection from the rain by channeling water into the full perimeter gutter system.

## SOLAR CONTROL

Open for light and ventilation. At the touch of a button the proprietary pivoting system rotates the louvers to your desired comfort level.



## EXTRUDED ALUMINUM FRAME

The extruded aluminum frame system offers the appearance and structural integrity desired by architects and professionals.



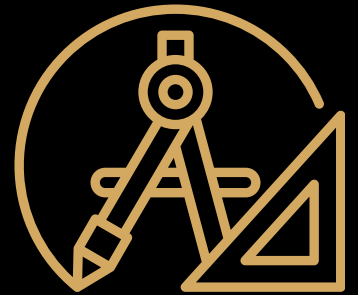
## TIMELESS BEAUTY

Louvered patio covers are often installed when homeowners want more flexibility from their outdoor space. Rather than avoiding the patio during hot sun or unexpected rain, the space becomes usable in a wider range of conditions.



## DESIGN AND ENGINEERING

The process begins with evaluating your space, understanding how you plan to use it, and determining the best configuration for coverage and functionality. From there, we develop a design that aligns with your property layout and structural requirements



## ELEGANT LOUVER DESIGN

With the push of a button, you can:

- Open the louvers to let in sunlight and airflow
- Tilt them to create partial shade while maintaining ventilation
- Fully close them to block direct sun and create a sheltered area
- Rain sensing technology
- Elevated lighting design

# TECHNICAL SPECIFICATIONS

## LOUVER/TRACK MATERIAL

6063-T6 Aluminum (All extrusions manufactured following Aluminum Association tolerances and meet ASTM standards)

## COATINGS

AAMA 2604 powder coatings and electrostatically applied polymer baked enamels. These provide excellent environmental protection and resistance to stains, scratches, dirt, and UV rays.

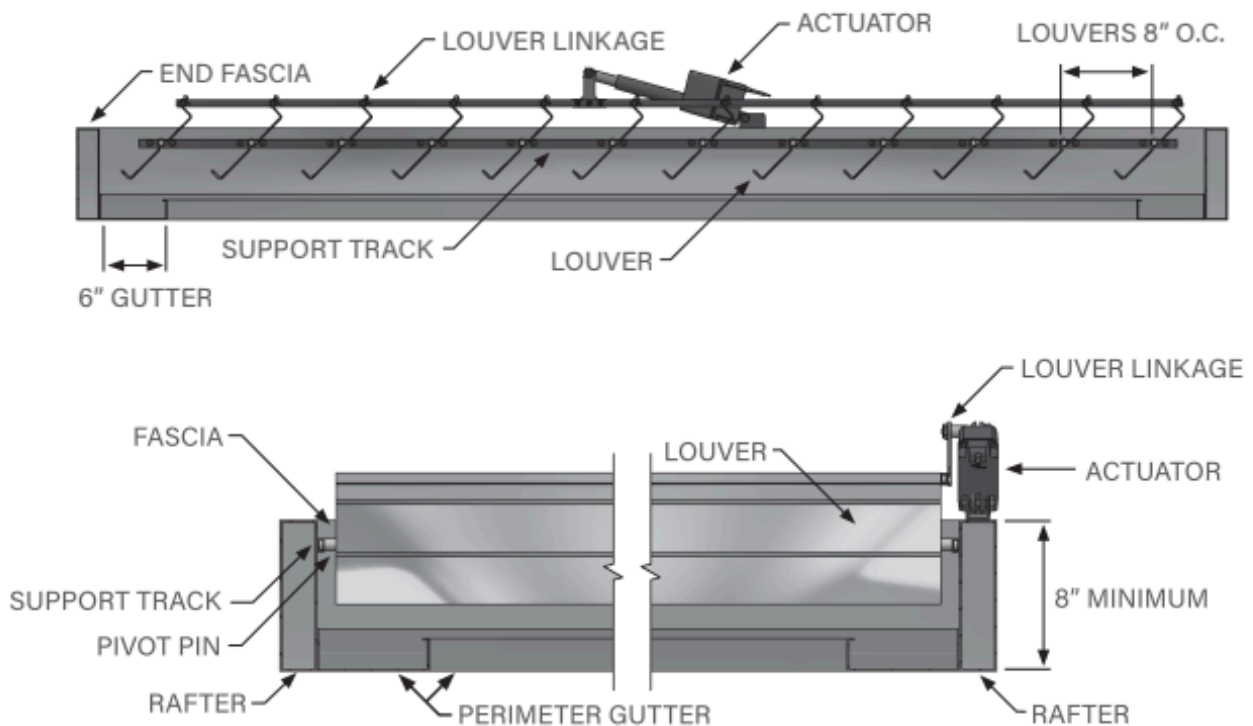
## EXTRUDED ALUMINUM POST AND BEAM

Post standard sizes: 4x4 and 6x6. Beam standard sizes 2x8 and 2x10. Additional beam sizes available.

## INSTALLATION

Project specific connection details and installation guides included with each system.

## OPENING ROOF STYLE COMPONENTS



# HAND CRANKED LOUVER

THE LEADER IN...  
OUTDOOR COMFORT

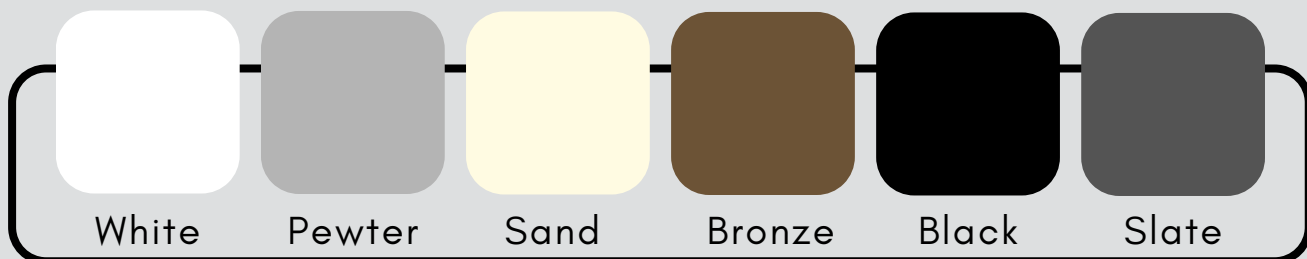


WE'VE GOT YOU  
COVERED



**Finishes and materials  
warrantied for 15 years**

## STANDARD FRAME COLORS



## PRICING

Cost Effective - Hand cranked  
\$90 per square foot

\*Not including shipping | design  
costs | permitting

Financing available

## FRAME MATERIAL

Aluminum (standard)  
Steel  
Timber



ISAAC DAWID  
IDAWID7@GMAIL.COM | 510-363-5547

PATIOCOVERSANDMORE.COM



## TECHNICAL SPECIFICATIONS

- Operation: Manual crank handle, often detachable or storable, offering silent, 90-135 degree rotation for airflow and light control.
- Material: Corrosion-resistant, heavy-gauge powder-coated aluminum, designed for low maintenance and high durability.
- Structural Performance:
  - Wind Rating: Approximately 49 MPH
  - Snow Load: Roughly 15 lbs/sq. ft.
  - Drainage System: Integrated "smart" gutter systems concealed within the posts.

## OPENING ROOF STYLE COMPONENTS

